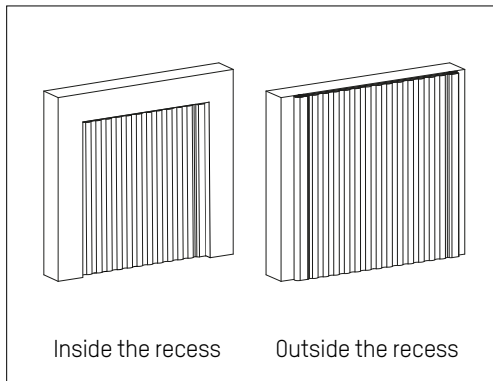


HOW TO MEASURE MY SMARTBLINDS?

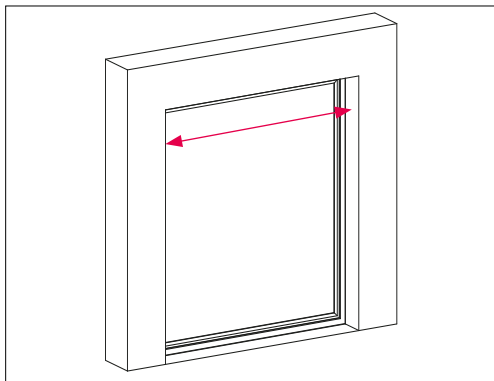
1 Decide where and how you want to install the curtain rail



This can be done inside the recess or outside the recess. If you install the curtain rail outside the recess, it is mounted on the wall and will be placed over the window with overlap on both sides.

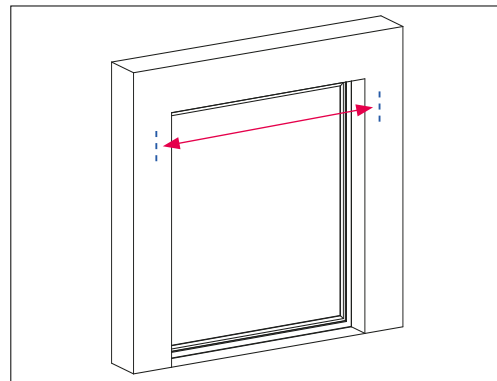
TIP: NOTE THE SIZES IN THE SIZE CHART ON THE BACK

2 Measure the width of your window



Option A: Inside the recess

Do you want to mount your curtain rail in the window? Measure the width at the top of the window recess. Please note! We supply the curtain rail with a reduction of 1 cm on both sides. Please indicate the exact size of your window recess and we will make sure that the curtain rail fits exactly in between. Please don't do any reductions yourself!



Option B: Outside the recess

Do you want to mount your curtain rail on the window? Then measure the width of the window and add the desired overlap.

A MORE DETAILED EXPLANATION?

Scan the QR code or visit <https://smartbl.in/measuring> for the measurement guide and instructional videos.



3 Order your Smartblinds

Configure your curtain rail directly in our webshop.

