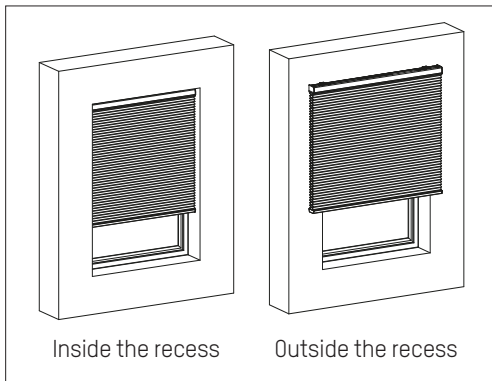


HOW TO MEASURE MY SMARTBLINDS?

! Before you begin measuring, note any obstructions such as door and/or window hardware that protrudes, heating pipes, or inward-turning doors and windows.

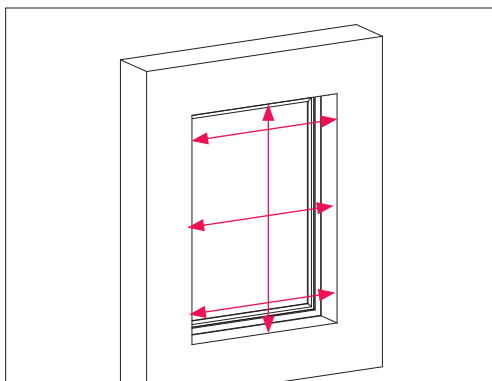
1 Decide where and how you want to install the honeycomb blind



This can be done inside the recess or outside the recess. If you install the honeycomb blind outside the recess, it is mounted on the wall and will be placed over the window with overlap on both sides.

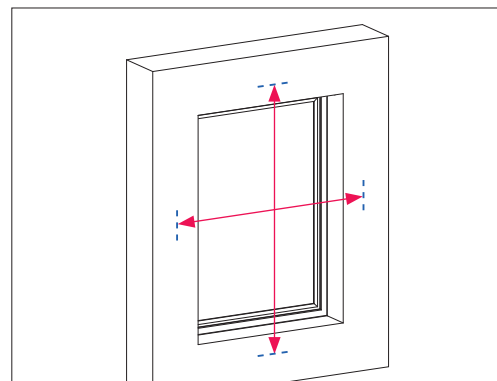
TIP: NOTE THE SIZES IN THE SIZE CHART ON THE BACK

2 Measure the dimensions of your window



Option A: Inside the recess

Do you want to install your Smartblinds inside the recess? Measure the width at three points of the window, keeping the smallest measurement. Measure the height at the centre of the window. **Please note!** We supply the honeycomb blind with a reduction of 3 mm on both sides. Please indicate the exact size of your window recess and we will make sure that the honeycomb blind fits exactly in between. **Please don't do any reductions yourself! Also take into account the package height (see table on the back) due to possible obstacles such as inward-turning doors and windows.**



Option B: Outside the recess

Do you want to install your Smartblinds outside the recess? Then measure the width and height of the window recess, with a small overlap. We recommend an overlap of 5 cm on both sides. Please add a total of 10 cm to the width measurement. To determine the height, add the package height of your honeycomb blind (see table on the back) to the height of your window. Would you like the honeycomb blind to continue at the bottom? Then decide how many extra centimetres you want in height.

A MORE DETAILED EXPLANATION?

Scan the QR code or visit <https://smartbl.in/measuring> for the measurement guide and instructional videos.



3 Order your Smartblinds

Scan the QR code on your sample and configure your Smartblinds directly in our webshop.

Package height

Top down

Height total honeycomb	Package height
50 cm	7 cm
100 cm	8 cm
150 cm	9 cm
200 cm	10 cm
250 cm	12 cm
300 cm	13 cm

Top down - bottom up

Height total honeycomb	Package height
50 cm	9 cm
100 cm	10 cm
150 cm	11 cm
200 cm	12 cm
250 cm	14 cm
300 cm	15 cm

*Package height includes system height

 Note the sizes of your Smartblinds in the table below

Name window

Mounting
inside the recess outside the recess

Width
cm

Height
cm

System type*
bottom up top down-bottom up

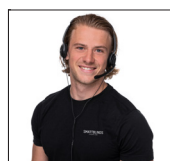
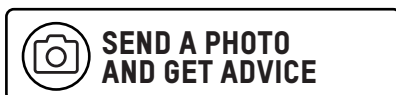
Motor side**
left right

* With a top down bottom up system, you have a motor on both sides.

**Motor side determines side of charging port and pull operation.

Do you still have questions or need advice from our experts?

Get in touch with us! Our experts are happy to give you personal advice in a virtual meeting, where they will tell you everything about measuring your Smartblinds.



For contact, to schedule a virtual meeting or to send photos, go to <https://smartbl.in/help> or scan the QR code.



SMARTBLINDS

FOR SMART LIVING