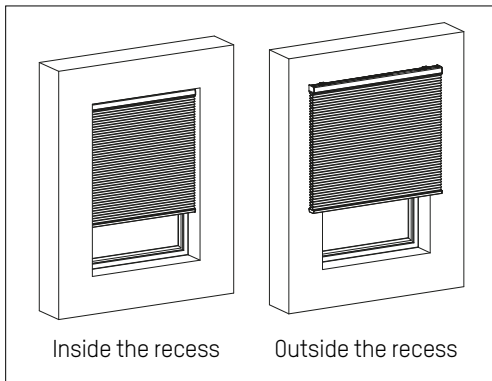


# HOW TO MEASURE MY SMARTBLINDS?

**!** Before you begin measuring, note any obstructions such as door and/or window hardware that protrudes, heating pipes, or inward-turning doors and windows.

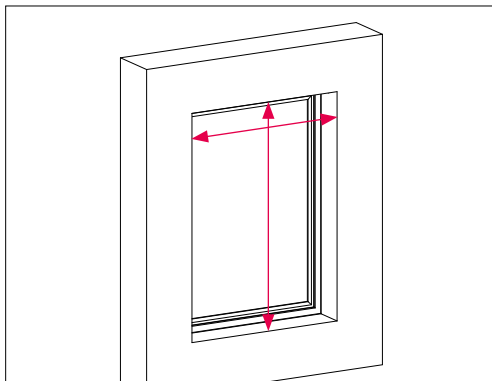
**1** Decide where and how you want to install the honeycomb blind



This can be done inside the recess or outside the recess. If you install the honeycomb blind outside the recess, it is mounted on the wall and will be placed over the window with overlap on both sides.

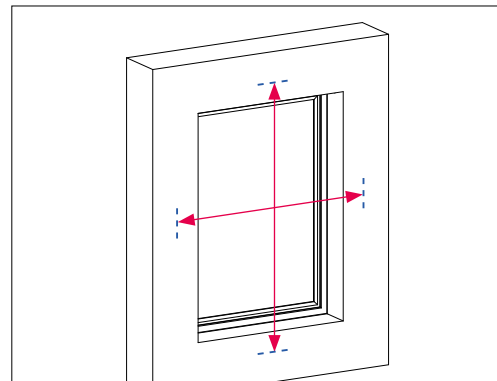
**TIP:** NOTE THE SIZES IN THE SIZE CHART ON THE BACK

**2** Measure the dimensions of your window



## Option A: Inside the recess

Do you want to install your Smartblinds inside the recess? Measure the width at the top of the window recess and measure the height at the center of the window recess. Please note! We supply the honeycomb blind with a reduction of 3 mm on both sides. Please indicate the exact size of your window recess and we will make sure that the honeycomb blind fits exactly in between. Please don't do any reductions yourself! Also take into account a system height of 10 cm for possible obstacles such as doors and windows turning inwards.



## Option B: Outside the recess

Do you want to install your Smartblinds outside the recess? Then measure the width and height of the window recess, with a small overlap. We recommend an overlap of 5 cm on both sides. Please add a total of 10 cm to the width measurement. To determine the height, add the package height of your honeycomb blind (see table on the back) to the height of your window. Would you like the honeycomb blind to continue at the bottom? Then decide how many extra centimetres you want in height.

## A MORE DETAILED EXPLANATION?

Scan the QR code or visit <https://smartbl.in/measuring> for the measurement guide and instructional videos.



**3** Order your Smartblinds

Scan the QR code on your sample and configure your Smartblinds directly in our webshop.

## Package height

### Top down

Height total honeycomb	Package height
50 cm	7,8 cm
100 cm	10,3 cm
150 cm	12,8 cm
200 cm	15,3 cm
250 cm	17,8 cm
300 cm	20,3 cm

### Top down - bottom up

Height total honeycomb	Package height
50 cm	9,3 cm
100 cm	11,8 cm
150 cm	14,3 cm
200 cm	16,8 cm
250 cm	19,3 cm
300 cm	21,8 cm

 Note the sizes of your Smartblinds in the table below

Name window

Mounting  
inside the recess    outside the recess

Width  
cm

Height  
cm

System type\*  
bottom up    top down-bottom up

Motor side\*\*  
left    right


\* With a top down bottom up system, you have a motor on both sides.

\*\*Motor side determines side of charging port and pull operation.

## Do you still have questions or need advice from our experts?

Get in touch with us! Our experts are happy to give you personal advice in a virtual meeting, where they will tell you everything about measuring your Smartblinds.



For contact, to schedule a virtual meeting or to send photos, go to <https://smartbl.in/help> or scan the QR code.



# SMARTBLINDS

FOR SMART LIVING