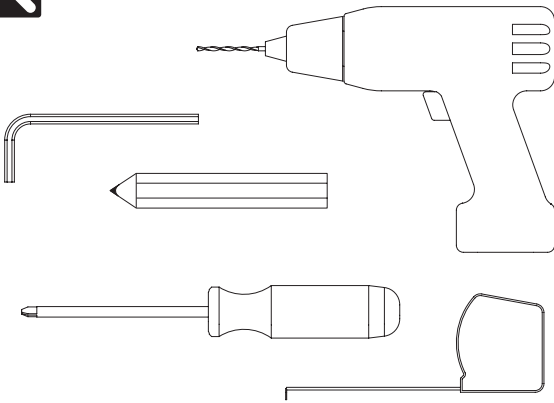
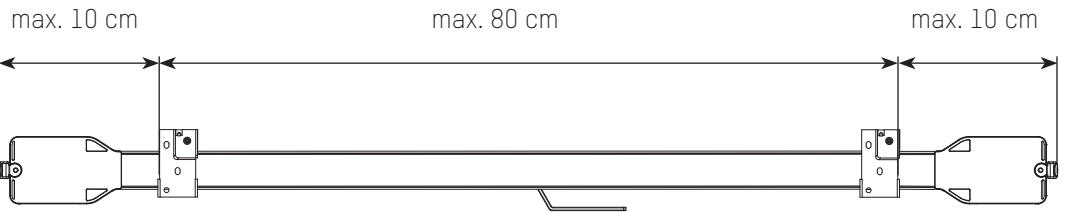
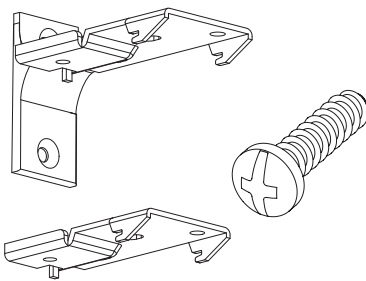
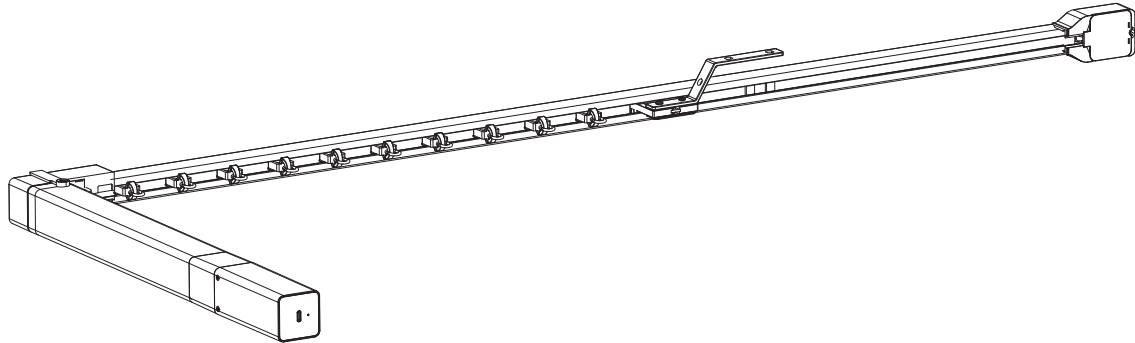
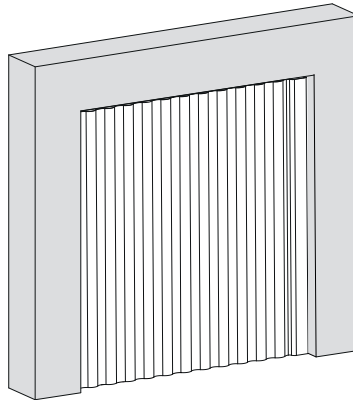




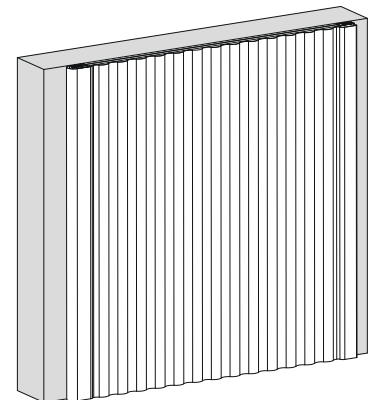
Read the instructions carefully before assembling and using the product.  
Assembling process can be completed by non-professionals. For indoor use only.



Inside mount



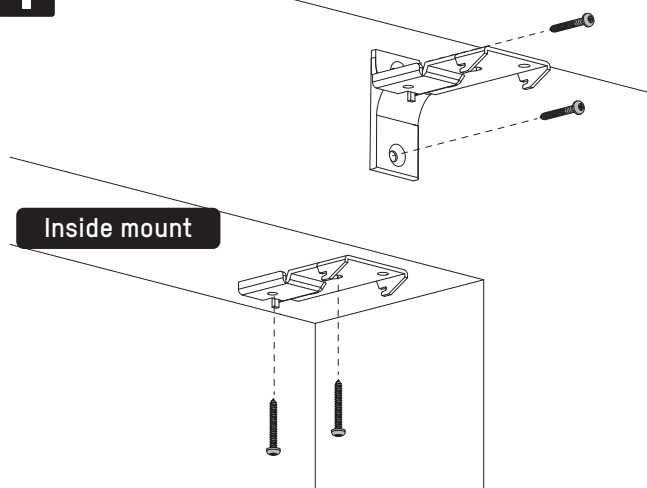
Outside mount



<https://smartbl.in/mh03>



Outside mount

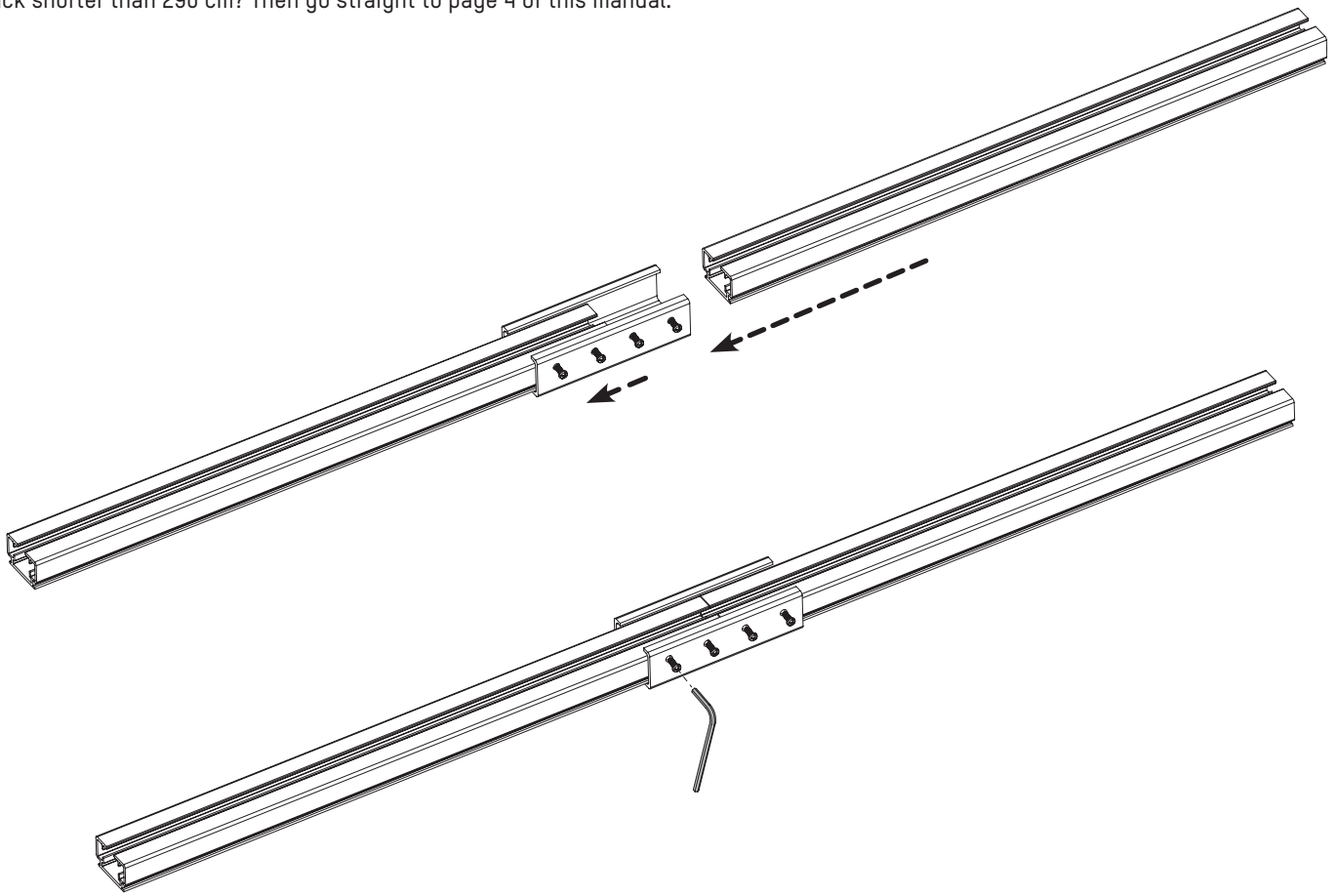


Inside mount

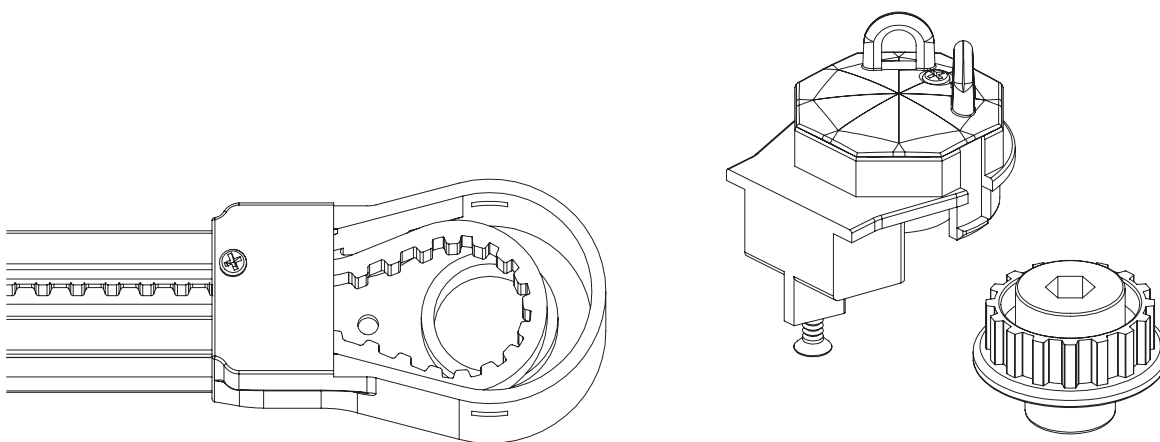
Is your curtain track longer than 290 cm? Then go to page 2 of this manual.  
Is your curtain track shorter than 290 cm? Then go straight to page 4.

## MOUNTING CONNECTOR

Pages 2 and 3 of this manual only apply to curtain tracks longer than 290 cm. Is your curtain track shorter than 290 cm? Then go straight to page 4 of this manual.



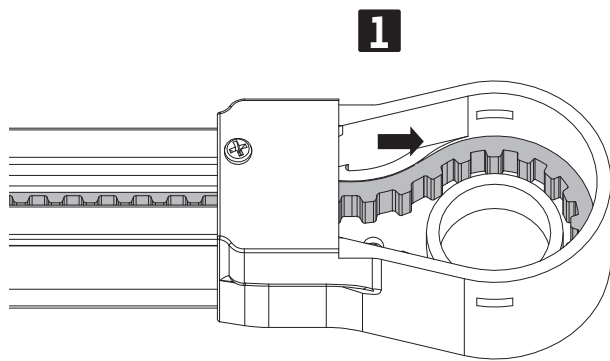
## MOUNTING RETURN PULLEY



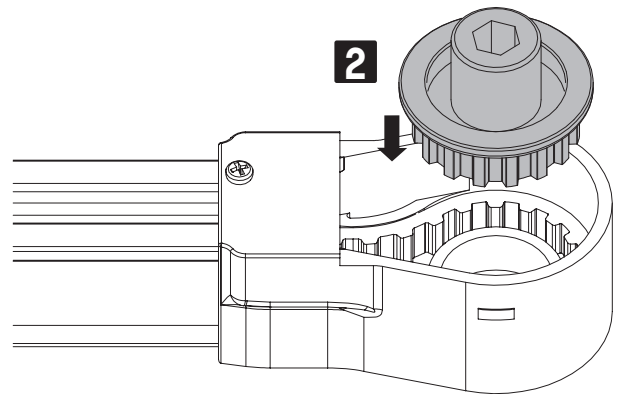
Rail with return pulley

Individual parts

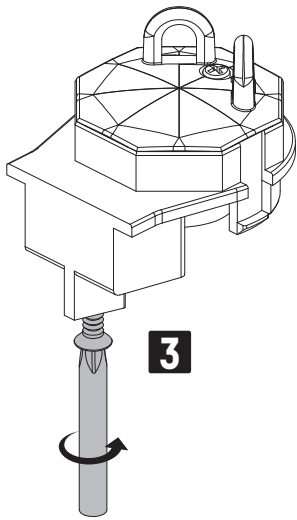
# INSTALLATIONMANUAL SMARTBLINDS



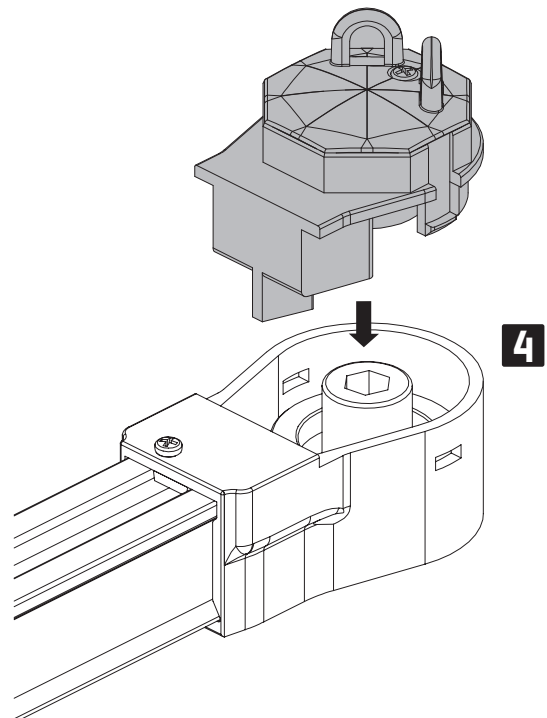
Place the timing belt on the bottom of the pulley housing.



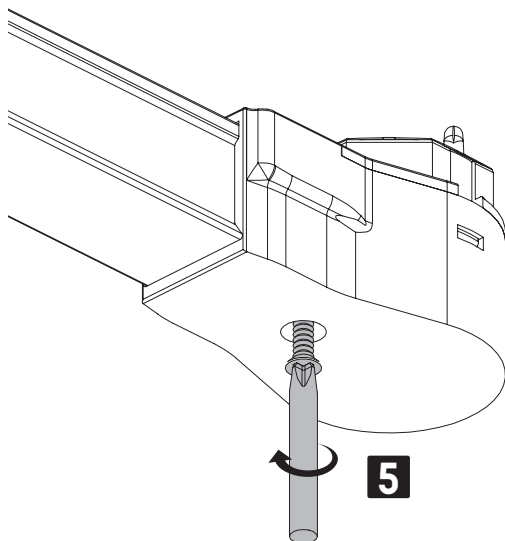
Assemble the pulley wheel.



Remove the screw.

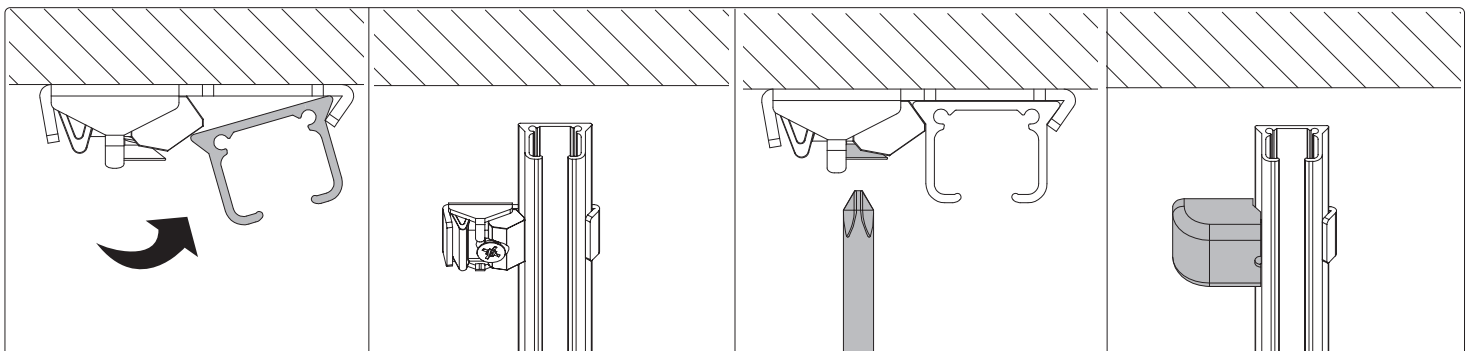
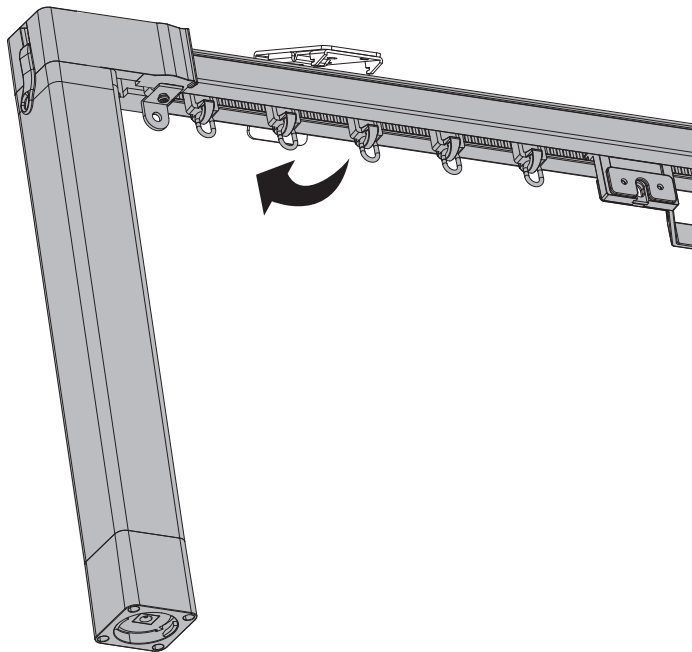
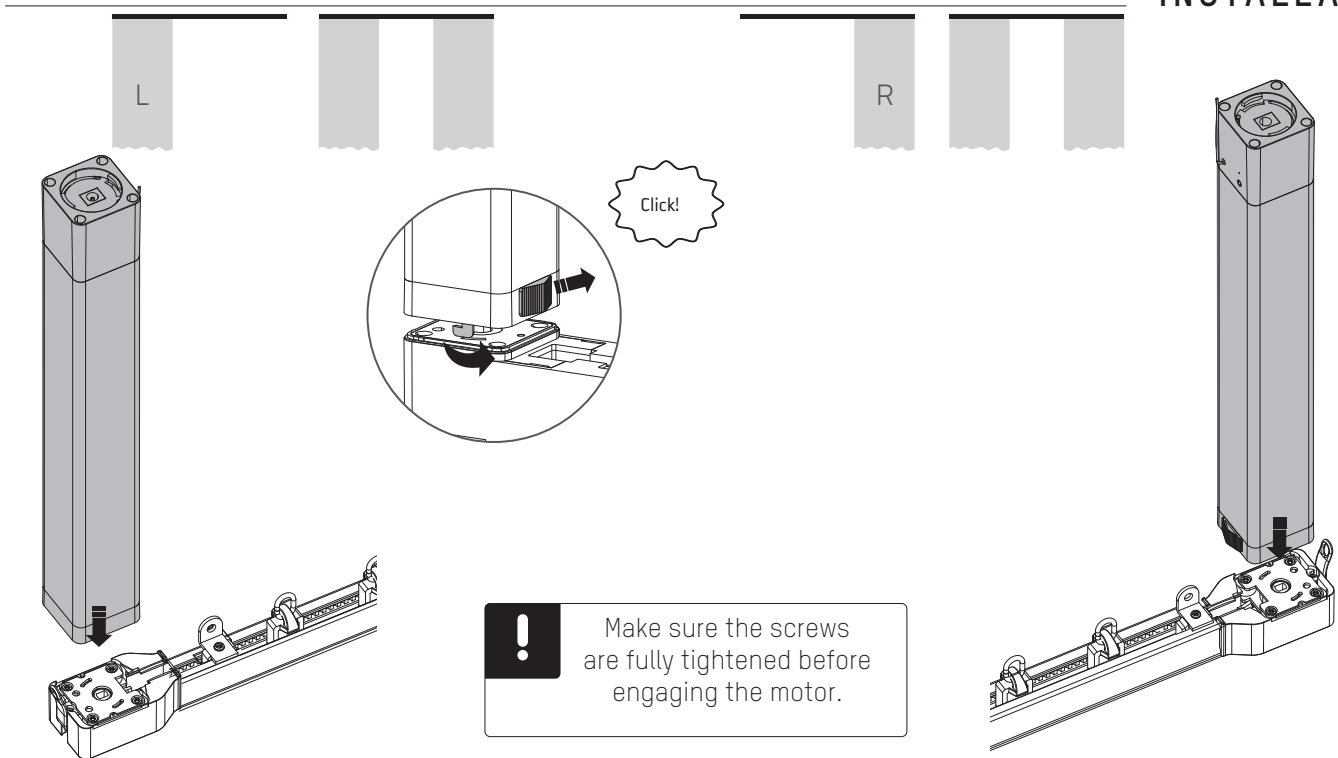


Place the cap on the pulley housing.

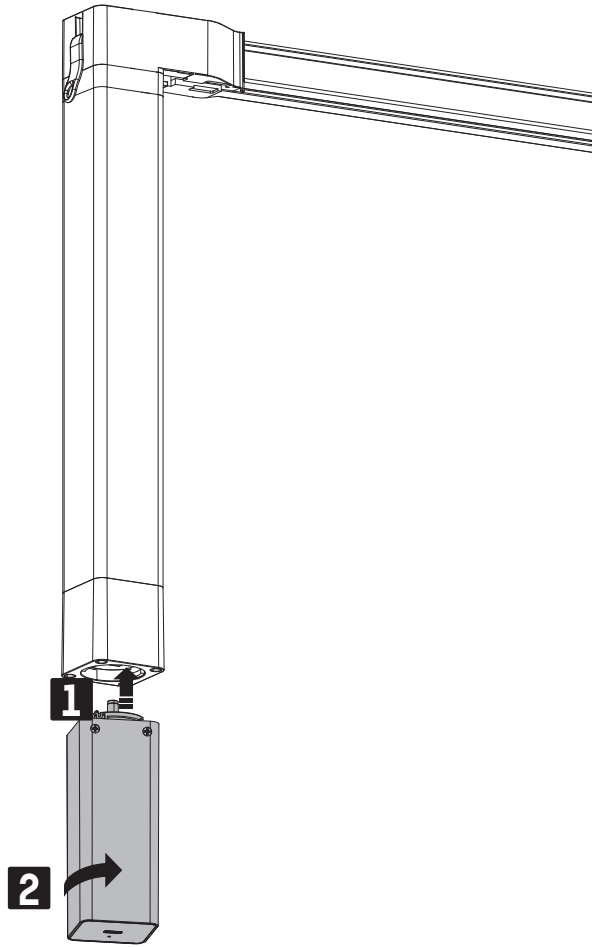


Tighten the screw firmly.

INSTALLATION



MN220044\_20221017\_EN



## MOTOR ACTIVATION

**i** Follow the steps in the Setup Guide to activate the motor:

